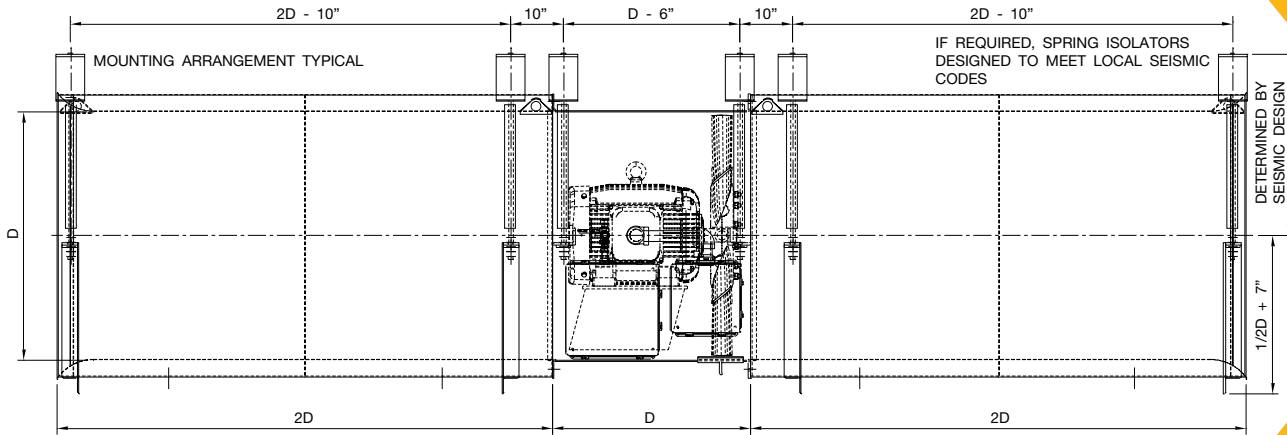


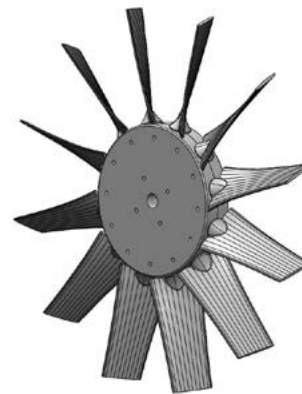
JET FAN TYPICAL DATA



DIMENSIONAL DATA FOR VARIOUS FAN DIAMETERS WITH MAXIMUM THRUST RATING PER FAN DIAMETER

| D (mm) | Max Thrust N / lbf | Max RPM 50 Hz / 60 Hz | Max kW / HP |
|--------|--------------------|-----------------------|-------------|
| 500 | 235 / 70 | 3000 / 3600 | 11 / 25 |
| 560 | 370 / 100 | 3000 / 3600 | 22 / 30 |
| 630 | 580 / 155 | 3000 / 3600 | 30 / 50 |
| 710 | 840 / 220 | 3000 / 3600 | 37 / 75 |
| 800 | 1045 / 284 | 3000 / 3600 | 45 / 100 |
| 900 | 775 / 250 | 1500 / 1800 | 30 / 60 |
| 1000 | 1185 / 360 | 1500 / 1800 | 55 / 150 |
| 1120 | 1280 / 380 | 1500 / 1800 | 45 / 100 |
| 1250 | 2150 / 645 | 1500 / 1800 | 90 / 250 |
| 1400 | 3040 / 1015 | 1500 / 1800 | 132 / 400 |
| 1600 | 2570 / 770 | 1500 / 1200 | 110 / 250 |

Optional 1D silencers can be provided as well.
For additional special requirements, please contact the factory.



TYPICAL IMPELLER CONSTRUCTION

TYPICAL APPLICATIONS

- > Complete FEA design work performed on all units
- > Full thrust / sound testing
- > Full high temperature testing capabilities up to 400°C for 2 hours with automated burn controls and data collection
- > Built-in compliance with European Standard EN 12101-3

CLARAGE 
INDUSTRIAL FANS & SERVICES

CUSTOM IS OUR STANDARD

202 COMMERCE WAY | PULASKI, TN 38478 | (931) 424-2500

WWW.CLARAGE.COM